



**SAVI**<sup>®</sup>  
Reha Solutions

# Pricelist

Therapy chair „Wellenreiter 2022“  
from the rehabilitation manufactory

## Content

Therapy chair „Wellenreiter“ size S	S. 02
Therapy chair „Wellenreiter“ size L	S. 03
Therapy chair „Wellenreiter“ size XL	S. 04
Accessories therapy chair „Wellenreiter“	S. 05
Therapy chair „Wellenreiter“ dimensions	S. 06

Pricelist and order-formular 2022  
(valid from 02.2022) rev. 02

# „Wellenreiter“ size S

order? Let us know your contact details:



HMV-Nr.: 26.11.05.0043

Please choose here

## Wellenreiter - The practical therapy chair for everyday use

Stable frame made of lacquered beech wood with integrated aluminium profiles. Height and inclination angle of the backrest adjustable. Armrests height adjustable. Seat and foot plate multi-adjustable (height, inclination, depth). Seat and backrest cushions and transport castors included.

model	order number	seat width (D)	seat depth (B)	max.seat height (C)	back height (A)	back angle (E)	seat angle (F)	foot angle (G)	max. load	price
size S (without armrest)	WELLENR2018 S OA	17 - 28 cm	20 - 27 cm	57 cm	26 cm	(-) 0° - 17,5°	5°/0°/-6°/-12°	5°/0°/-6°/-12°	30 kg	<b>990</b> <b>725</b>
size S KIGa (without armrest)	WELLENR2018 S KIGA OA	17 - 28 cm	20 - 27 cm	47 cm	26 cm	(-) 0° - 17,5°	5°/0°/-6°/-12°	5°/0°/-6°/-12°	30 kg	<b>990</b> <b>725</b>

cushion colour	order number	price
red <input type="checkbox"/> light blue <input type="checkbox"/> grass-green <input type="checkbox"/>	WELLENR2018 S 523	•
optional: colour by request		190
<b>angle quick adjustment of the foot and seat plate</b>	WELLENR2018 550	220
<b>headrest</b>	WELLENR2018 S 001	220
adjustable height (in 3 cm steps) 12 - 21 cm		
<b>thorax pads, 1 pair</b>		
padded and adjustable, width 13 - 19 cm	WELLENR2018 S 002	129
padded and adjustable, width 17 - 23 cm	WELLENR2018 S 003	129
<b>thigh guide</b>	WELLENR2018 S 004	170
padded and adjustable, length 17,5 cm, height 7 cm		
<b>abduction wedge</b>	WELLENR2018 S 008	190
padded and pluggable		
<b>wooden therapy table clip-on</b>	WELLENR2018 S 005	230
width 48 cm, depth 37 cm		
<b>large wooden clip-on therapy table, with edge</b>	WELLENR2018 S 009	250
width 48 cm, depth 45 cm		
<b>dual castors</b> 4 pieces (75 mm), 2 with locking devices	WELLENR2018 006	252
<b>harness assembly set for the seat area</b> width 25 mm	WELLENR2018 S 2510	37
consisting of 2 angles with folding buckle and 2 folding buckles (drilled)		
<b>harness assembly set for the back area</b> width 25 mm	WELLENR2018 S 2511	128
consisting of belt holder with T-slot incl. 2 folding buckles and 2 folding buckles (drilled)		

• = serial

Prices in EUR (no tax)

**+49 (0) 25 64 - 93 09 - 70:** Our service-hotline is available for you weekdays from 8 am til 17 pm!

This is the quickest way: Simply fax your order to us at: +49 (0) 25 64 - 93 09 - 60 (Don't forget to include the sender's address).

# „Wellenreiter“ size L

order? Let us know your contact details:



HMV-Nr.: 26.11.05.0043

Please choose here

## Wellenreiter - The practical therapy chair for everyday use

Stable frame made of lacquered beech wood with integrated aluminium profiles. Height and inclination angle of the backrest adjustable. Armrests height adjustable. Seat and foot plate multi-adjustable (height, inclination, depth). Seat and backrest cushions and transport castors included.

model	order number	seat width (D)	seat depth (B)	max seat height (C)	back height (A)	back angle (E)	seat angle (F)	foot angle (G)	max. load	price
size L (without armrest)	WELLENR2018 L OA	24 - 34 cm	27 - 33 cm	55 cm	32 cm	(-) 0° - 17,5°	5°/0°/-6°/-12°	5°/0°/-6°/-12°	45 kg	<b>990</b> <b>725</b>
size L KiGa (without armrest)	WELLENR2018 L KIGA OA	24 - 34 cm	27 - 33 cm	49 cm	32 cm	(-) 0° - 17,5°	5°/0°/-6°/-12°	5°/0°/-6°/-12°	45 kg	<b>990</b> <b>725</b>

cushion colour	order number	price
red <input type="checkbox"/> light blue <input type="checkbox"/> grass-green <input type="checkbox"/>	WELLENR2018 L 523	•
optional: colour by request		220
<b>angle quick adjustment of the foot and seat plate</b>	WELLENR2018 550	220
<b>headrest</b>	WELLENR2018 L 001	220
adjustable height (in 3 cm steps) 12 - 21 cm		
<b>thorax pads, 1 pair</b>		
padded and adjustable, width 20 - 26 cm	WELLENR2018 L 002	129
padded and adjustable, width 24 - 30 cm	WELLENR2018 L 003	129
<b>thigh guide</b>	WELLENR2018 L 004	170
padded and adjustable, length 20 cm, height 8,5 cm		
<b>abduction wedge</b>	WELLENR2018 L 008	190
padded and pluggable		
<b>wooden therapy table clip-on</b>	WELLENR2018 L 005	230
width 52 cm, depth 39 cm		
<b>large wooden clip-on therapy table, with edge</b>	WELLENR2018 L 009	250
width 52 cm, depth 49 cm		
<b>dual castors 4 pieces (75 mm), 2 with locking devices</b>	WELLENR2018 006	252
<b>harness assembly set for the seat area</b> width 25 mm	WELLENR2018 L 2510	37
consisting of 2 angles with folding buckle and 2 folding buckles (drilled)		
<b>harness assembly set for the back area</b> width 25 mm	WELLENR2018 L 2511	128
consisting of belt holder with T-slot incl. 2 folding buckles and 2 folding buckles (drilled)		

• = serial

Prices in EUR (no tax)

**+49 (0) 25 64 - 93 09 - 70:** Our service-hotline is available for you weekdays from 8 am til 17 pm!

This is the quickest way: Simply fax your order to us at: +49 (0) 25 64 - 93 09 - 60 (Don't forget to include the sender's address).

# „Wellenreiter“ size XL

order? Let us know your contact details:



(picture shows therapy chair with all accessories)

HMV-Nr.: 26.11.05.0043

Please choose here

## Wellenreiter - The practical therapy chair for everyday use

Stable frame made of lacquered beech wood with integrated aluminium profiles. Height and inclination angle of the backrest adjustable. Armrests height adjustable. Seat and foot plate multi-adjustable (height, inclination, depth). Seat and backrest cushions and transport castors included.

model	order number	seat width (D)	seat depth (B)	max. seat height (C)	back height (A)	back angle (E)	seat angle (F)	foot angle (G)	max. load	price
size XL (without armrest)	WELLENR2018 XL OA	30 - 40 cm	29 - 35 cm	64 cm	38 cm	(-) 0° - 17,5°	5°/0°/-6°/-12°	5°/0°/-6°/-12°	60 kg	<b>1190</b> <b>925</b>

cushion colour	order number	price
red <input type="checkbox"/> light blue <input type="checkbox"/> grass-green <input type="checkbox"/>	WELLENR2018 XL 523	•
optional: colour by request		190
<b>angle quick adjustment of the foot and seat plate</b>	WELLENR2018 550	220
<b>headrest</b>	WELLEN2018 XL 001	220
adjustable height (in 3 cm steps) 12 - 21 cm		
<b>thorax pads, 1 pair</b>		
padded and adjustable, width 13 - 19 cm	WELLENR2018 XL 002	129
padded and adjustable, width 17 - 23 cm	WELLENR2018 XL 003	129
<b>thigh guide</b>	WELLENR2018 XL 004	170
padded and adjustable, length 17,5 cm, height 7 cm		
<b>abduction wedge</b>	WELLENR2018 XL 008	190
padded and pluggable		
<b>wooden therapy table clip-on</b>	WELLENR2018 XL 005	230
width 48 cm, depth 37 cm		
<b>large wooden clip-on therapy table, with edge</b>	WELLENR2018 XL 009	250
width 48 cm, depth 45 cm		
<b>dual castors</b> 4 pieces (75 mm), 2 with locking devices	WELLENR2018 006	252
<b>harness assembly set for the seat area</b> width 25 mm	WELLENR2018 XL 2510	37
consisting of 2 angles with folding buckle and 2 folding buckles (drilled)		
<b>harness assembly set for the back area</b> width 25 mm	WELLENR2018 XL 2511	128
consisting of belt holder with T-slot incl. 2 folding buckles and 2 folding buckles (drilled)		

• = serial

Prices in EUR (no tax)

**+49 (0) 25 64-93 09-70:** Our service-hotline is available for you weekdays from 8 am til 17 pm!

This is the quickest way: Simply fax your order to us at: +49 (0) 25 64 - 93 09 - 60 (Don't forget to include the sender's address).

# accessories „Wellenreiter“

order? Let us know your contact details:

Please choose here ↓

<b>Harness for therapy chair „Wellenreiter“</b>							
<b>Chest-shoulder strap</b> made of breathable and moisture repellent material, two straps with clips, in width adjustable, colour: black	<b>width top</b>	<b>width below</b>	<b>length top</b>	<b>bow below</b>	<b>total length</b>		<b>price</b>
<b>strap width</b>						<b>order number</b>	
2 cm	15 cm	18 cm	20 cm	7 cm	30 cm	WELLENR2018 1032	<b>155</b>
<b>T-shape groin harness</b> made of breathable and moisture repellent material, with two clips at front, straps sewn at back, colour: black	<b>width</b>	<b>length top</b>	<b>length</b>	<b>width T</b>			
<b>strap width</b>						<b>order number</b>	
2,5 cm	28 cm	8 cm	18 cm	28 cm		WELLENR2018 1033	<b>128</b>
<b>Pelvic harness</b> with cushion, with metal lock, colour: black	<b>width cushion</b>	<b>cushion length per side</b>	<b>strap length per side</b>				
<b>strap width</b>						<b>order number</b>	
2,5 cm	5 cm	15 cm	67 cm			WELLENR2018 1035	<b>259</b>
<b>4-point Pelvic harness</b> with cushion, with metal lock, colour: black							
<b>strap width</b>						<b>order number</b>	
2,5 cm	5 cm	15 cm	67 cm			WELLENR2018 1036	<b>134</b>

prices: EUR (no tax)

delivery period: ca. 1 - 2 weeks

special builds: no problem, please contact us!

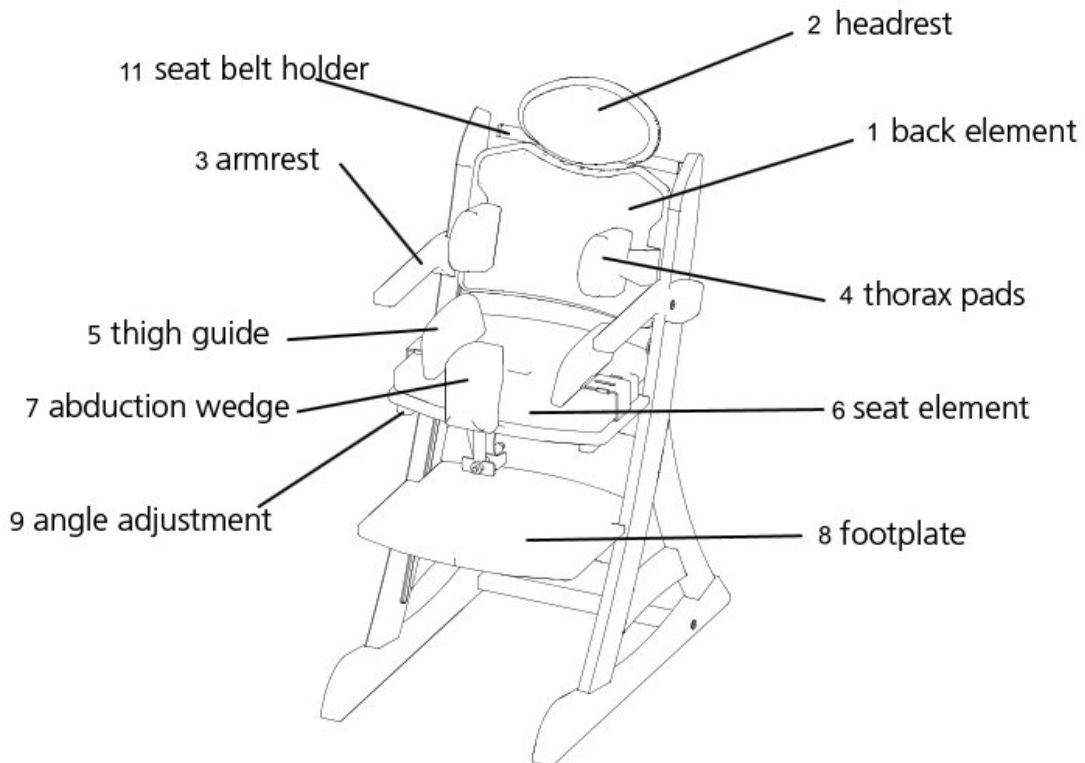
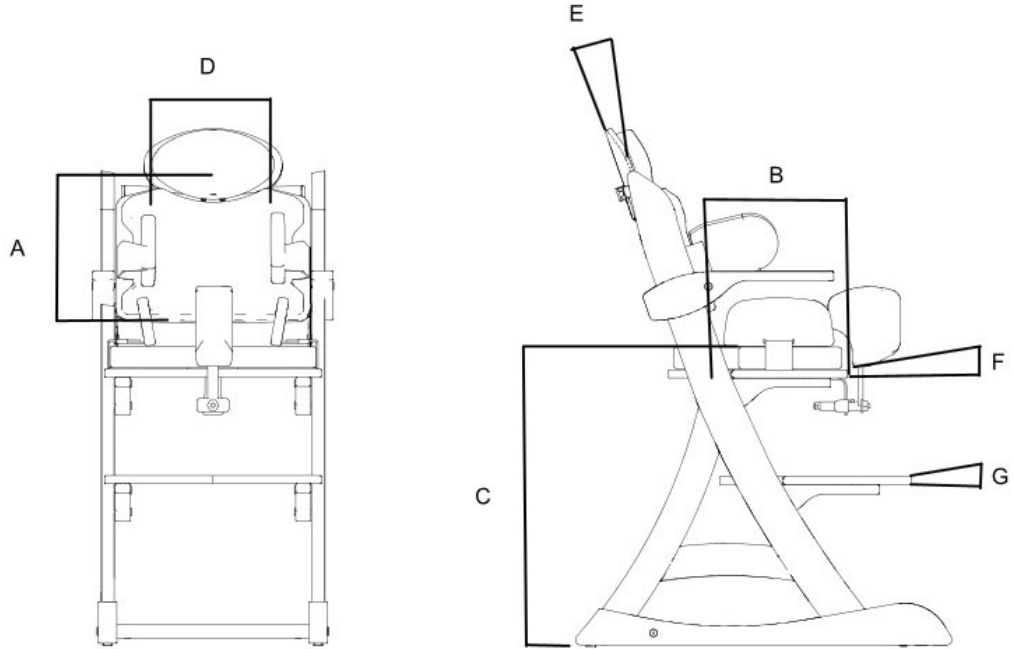
All our deliveries are basing on our latest general terms.

### All our products are:

CE-labelled  
conformance with all legal norms

# „Wellenreiter“ dimensions

	dimension name
A	back height
B	seat depth
C	max. seat height
D	seat width
E	back angle
F	seat angle
G	foot angle







[www.savi.de](http://www.savi.de)  
[info@savi.de](mailto:info@savi.de)

facebook:  
SAVI.GmbH

SAVI GmbH Reha Solutions  
Lise-Meitner-Straße 10  
48691 Vreden  
Germany

phone: +49(0)25 64-93 09-70  
fax: +49(0)25 64-93 09-60