



SAVI[®]
Reha Solutions

Pricelist

Therapy chair „Wellenreiter 2018“
from the rehabilitation manufactory

Content

Therapy chair Wellenreiter size S	S. 02
Therapy chair Wellenreiter size L	S. 03
Therapy chair Wellenreiter size XL	S. 04
Accessories Therapy chair „Wellenreiter“	S. 05
Therapy chair „Wellenreiter“ dimensions	S. 06

Pricelist and order-formular 2021
(valid from 01.2021) rev. 01

Wellenreiter size S

order? Let us know your contact details:



HMV-Nr.: 26.11.05.XXXX

Please choose here

Wellenreiter - The practical therapy chair for everyday use

Stable frame made of lacquered beech wood with integrated aluminium profiles. Height and inclination angle of the backrest adjustable. Armrests height adjustable. Seat and foot plate multi-adjustable (height, inclination, depth). Seat and backrest cushions and transport castors included.

model	order number	seat width (D)	seat depth (B)	max.seat height (C)	back height (A)	back angle (E)	seat angle (F)	foot angle (G)	max. load	price
size S (without armrest)	WELLENR2018 S OA	17 - 28 cm	20 - 27 cm	57 cm	26 cm	(-) 0° - 17,5°	5°/0°/-6°/-12°	5°/0°/-6°/-12°	30 kg	990 725
size S KIGa (without armrest)	WELLENR2018 S KIGA OA	17 - 28 cm	20 - 27 cm	47 cm	26 cm	(-) 0° - 17,5°	5°/0°/-6°/-12°	5°/0°/-6°/-12°	30 kg	990 725

cushion colour	order number	price
red <input type="checkbox"/> light blue <input type="checkbox"/> grass-green <input type="checkbox"/>	WELLENR2018 S 523	•
optional: colour by request		190
angle quick adjustment of the foot and seat plate	WELLENR2018 550	220
headrest	WELLENR2018 S 001	220
adjustable height (in 3 cm steps) 12 - 21 cm		
thorax pads, 1 pair		
padded and adjustable, width 13 - 19 cm	WELLENR2018 S 002	129
padded and adjustable, width 17 - 23 cm	WELLENR2018 S 003	129
thigh guide	WELLENR2018 S 004	170
padded and adjustable, length 17,5 cm, height 7 cm		
abduction wedge	WELLENR2018 S 008	190
padded and pluggable		
wooden therapy table clip-on	WELLENR2018 S 005	230
width 48 cm, depth 37 cm		
large wooden clip-on therapy table, with edge	WELLENR2018 S 009	250
width 48 cm, depth 45 cm		
dual castors 4 pieces (75 mm), 2 with locking devices	WELLENR2018 006	252
harness assembly set for the seat area width 25 mm	WELLENR2018 S 2510	37
consisting of 2 angles with folding buckle and 2 folding buckles (drilled)		
harness assembly set for the back area width 25 mm	WELLENR2018 S 2511	128
consisting of belt holder with T-slot incl. 2 folding buckles and 2 folding buckles (drilled)		

• = serial

Prices in EUR (no tax)

+49 (0) 25 64 - 93 09 - 70: Our service-hotline is available for you weekdays from 8 am til 17 pm!

This is the quickest way: Simply fax your order to us at: +49 (0) 25 64 - 93 09 - 60 (Don't forget to include the sender's address).

Wellenreiter size L

order? Let us know your contact details:



HMV-Nr.: 26.11.05.XXXX

Please choose here ↓

Wellenreiter - The practical therapy chair for everyday use

Stable frame made of lacquered beech wood with integrated aluminium profiles. Height and inclination angle of the backrest adjustable. Armrests height adjustable. Seat and foot plate multi-adjustable (height, inclination, depth). Seat and backrest cushions and transport castors included.

model	order number	seat width (D)	seat depth (B)	max seat height (C)	back height (A)	back angle (E)	seat angle (F)	foot angle (G)	max. load	price
size L (without armrest)	WELLENR2018 L OA	24 - 34 cm	27 - 33 cm	49 cm	32 cm	(-) 0° - 17,5°	5°/0°/-6°/-12°	5°/0°/-6°/-12°	45 kg	990 725
size L KiGa (without armrest)	WELLENR2018 L KIGA OA	24 - 34 cm	27 - 33 cm	55 cm	32 cm	(-) 0° - 17,5°	(5°/0°/-6°/-12°)	5°/0°/-6°/-12°	45 kg	990 725

cushion colour	order number	price
red <input type="checkbox"/> light blue <input type="checkbox"/> grass-green <input type="checkbox"/>	WELLENR2018 L 523	•
optional: colour by request		220
angle quick adjustment of the foot and seat plate	WELLENR2018 550	220
headrest	WELLENR2018 L 001	220
adjustable height (in 3 cm steps) 12 - 21 cm		
thorax pads, 1 pair		
padded and adjustable, width 20 - 26 cm	WELLENR2018 L 002	129
padded and adjustable, width 24 - 30 cm	WELLENR2018 L 003	129
thigh guide	WELLENR2018 L 004	170
padded and adjustable, length 20 cm, height 8,5 cm		
abduction wedge	WELLENR2018 L 008	190
padded and pluggable		
wooden therapy table clip-on	WELLENR2018 L 005	230
width 52 cm, depth 39 cm		
large wooden clip-on therapy table, with edge	WELLENR2018 L 009	250
width 52 cm, depth 49 cm		
dual castors 4 pieces (75 mm), 2 with locking devices	WELLENR2018 006	252
harness assembly set for the seat area width 25 mm	WELLENR2018 L 2510	37
consisting of 2 angles with folding buckle and 2 folding buckles (drilled)		
harness assembly set for the back area width 25 mm	WELLENR2018 L 2511	128
consisting of belt holder with T-slot incl. 2 folding buckles and 2 folding buckles (drilled)		

• = serial

Prices in EUR (no tax)

+49 (0) 25 64 - 93 09 - 70: Our service-hotline is available for you weekdays from 8 am til 17 pm!

This is the quickest way: Simply fax your order to us at: +49 (0) 25 64 - 93 09 - 60 (Don't forget to include the sender's address).

Wellenreiter size XL

order? Let us know your contact details:



HMV-Nr.: 26.11.05.XXXX

Please choose here

Wellenreiter - The practical therapy chair for everyday use

Stable frame made of lacquered beech wood with integrated aluminium profiles. Height and inclination angle of the backrest adjustable. Armrests height adjustable. Seat and foot plate multi-adjustable (height, inclination, depth). Seat and backrest cushions and transport castors included.

model	order number	seat width (D)	seat depth (B)	max. seat height (C)	back height (A)	back angle (E)	seat angle (F)	foot angle (G)	max. load	price
size XL (without armrest)	WELLENR2018 XL OA	30 - 40 cm	29 - 35 cm	64 cm	38 cm	(-) 0° - 17,5 °	5°/0°/-6°/-12	5°/0°/-6°/-12°	60 kg	1190 925

cushion colour	order number	price
red <input type="checkbox"/> light blue <input type="checkbox"/> grass-green <input type="checkbox"/>	WELLENR2018 XL 523	•
optional: colour by request		190
angle quick adjustment of the foot and seat plate	WELLENR2018 550	220
headrest	WELLEN2018 XL 001	220
adjustable height (in 3 cm steps) 12 - 21 cm		
thorax pads, 1 pair		
padded and adjustable, width 13 - 19 cm	WELLENR2018 XL 002	129
padded and adjustable, width 17 - 23 cm	WELLENR2018 XL 003	129
thigh guide	WELLENR2018 XL 004	170
padded and adjustable, length 17,5 cm, height 7 cm		
abduction wedge	WELLENR2018 XL 008	190
padded and pluggable		
wooden therapy table clip-on	WELLENR2018 XL 005	230
width 48 cm, depth 37 cm		
large wooden clip-on therapy table, with edge	WELLENR2018 XL 009	250
width 48 cm, depth 45 cm		
dual castors 4 pieces (75 mm), 2 with locking devices	WELLENR2018 006	252
harness assembly set for the seat area width 25 mm	WELLENR2018 XL 2510	37
consisting of 2 angles with folding buckle and 2 folding buckles (drilled)		
harness assembly set for the back area width 25 mm	WELLENR2018 XL 2511	128
consisting of belt holder with T-slot incl. 2 folding buckles and 2 folding buckles (drilled)		

• = serial

Prices in EUR (no tax)

+49 (0) 25 64-93 09-70: Our service-hotline is available for you weekdays from 8 am til 17 pm!

This is the quickest way: Simply fax your order to us at: +49 (0) 25 64 - 93 09 - 60 (Don't forget to include the sender's address).

Accessories Wellenreiter

order? Let us know your contact details:

Please choose here ↓

Harness for therapy chair „Wellenreiter“							
Chest-shoulder strap made of breathable and moisture repellent material, two straps with clips, in width adjustable, colour: black	width top	width below	length top	bow below	total length		price
strap width						order number	
2 cm	15 cm	18 cm	20 cm	7 cm	30 cm	WELLENR2018 1032	155
T-shape groin harness made of breathable and moisture repellent material, with two clips at front, straps sewn at back, colour: black	width	length top	length	width T			
strap width						order number	
2,5 cm	28 cm	8 cm	18 cm	28 cm		WELLENR2018 1033	128
Pelvic harness with cushion, with metal lock, colour: black	width cushion	cushion length per side	strap length per side				
strap width						order number	
2,5 cm	5 cm	15 cm	67 cm			WELLENR2018 1035	259
4-point Pelvic harness with cushion, with metal lock, colour: black							
strap width						order number	
2,5 cm	5 cm	15 cm	67 cm			WELLENR2018 1036	134

prices: EUR (no tax)

delivery period: ca. 1 - 2 weeks

special builds: no problem, please contact us!

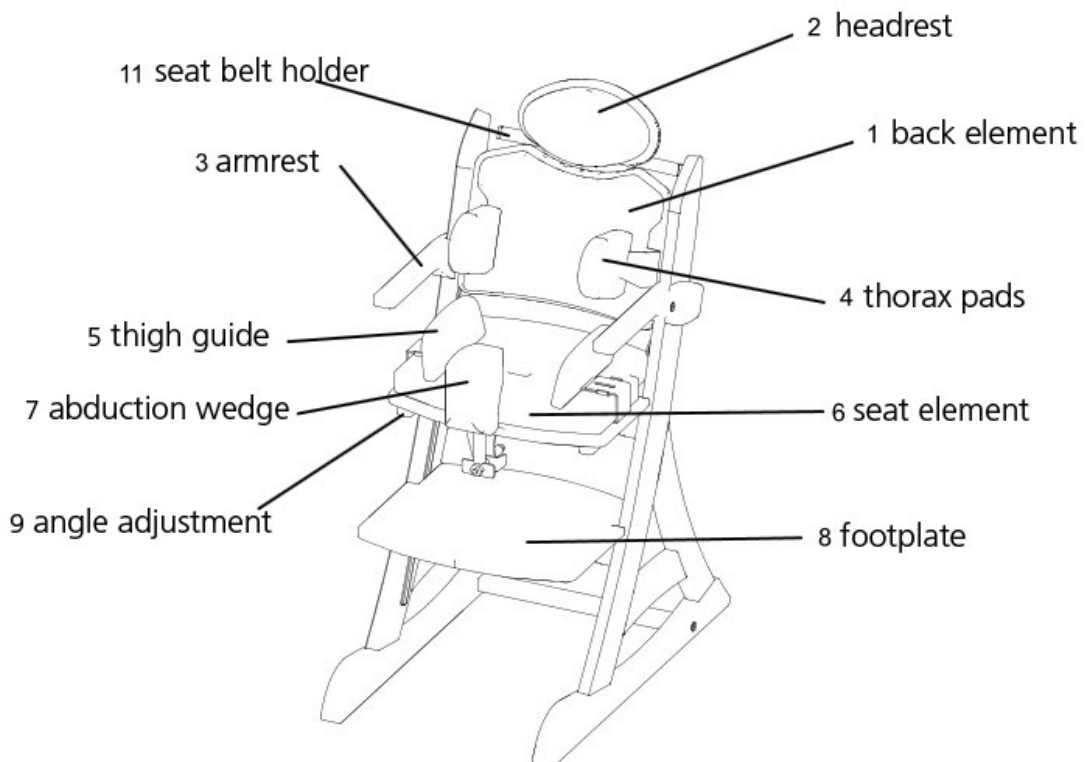
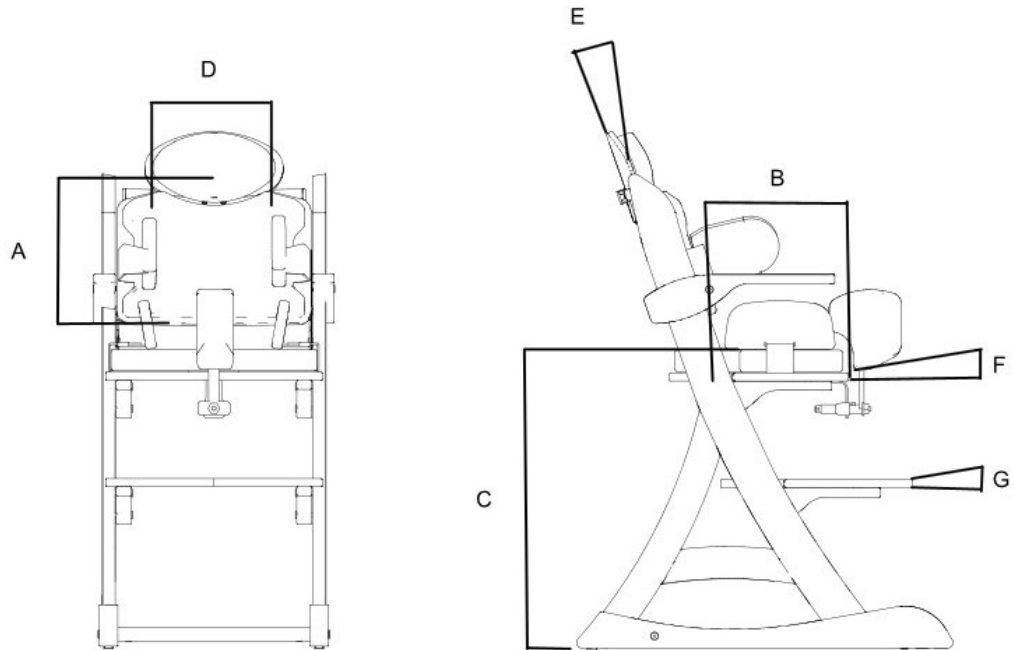
All our deliveries are basing on our latest general terms.

All our products are:

CE-labelled
conformance with all legal norms

Wellenreiter dimensions

	dimension name
A	back height
B	seat depth
C	max. seat height
D	seat width
E	back angle
F	seat angle
G	foot angle





www.savi.de
info@savi.de

Facebook:
SAVI.GmbH

SAVI GmbH
Reha Solutions
Lise-Meitner-Straße 10
D-48691 Vreden

D-48691 Vreden
phone: +49(0)25 64-93 09-70
fax: +49(0)25 64-93 09-60